

PLEASE CHECK WWW.MOLEX.COM FOR LATEST PART INFORMATION

Part Number: [0473410001](#)

Status: **Active**

Overview: [pogo_pins](#)

Description: 4.00mm (.157") Pitch Pogo Speaker Connector, Height: 2.60mm (.102"), Contact Pin: 0.10µm (4µ") Gold (Au) over 1.27µm Nickel Plating, 2 Circuits

Documents:

[3D Model](#)

[Drawing \(PDF\)](#)

[Product Specification PS-47341-001 \(PDF\)](#)

[RoHS Certificate of Compliance \(PDF\)](#)

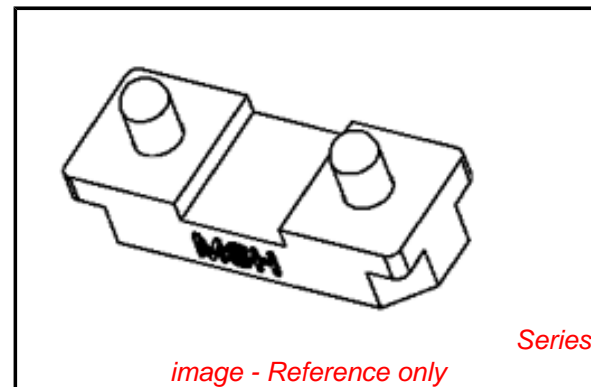
General

Product Family	PCB Headers
Series	47341
Application	Board-to-Board
Comments	Action Height: 2.00mm (.079")
Overview	pogo_pins
Product Name	PoGo Pin

Physical

Breakaway	No
Circuits (Loaded)	2
Circuits (maximum)	2
Durability (mating cycles max)	2,000
First Mate / Last Break	No
Glow-Wire Compliant	No
Guide to Mating Part	No
Keying to Mating Part	None
Lock to Mating Part	None
Material - Plating Mating	Gold
Material - Plating Termination	Gold
Number of Rows	1
Orientation	Vertical
PC Tail Length (in)	0.000 In
PC Tail Length (mm)	0.00 mm
PCB Locator	No
PCB Retention	Yes
PCB Thickness Recommended (in)	0.394 In
PCB Thickness Recommended (mm)	1.00 mm
Packaging Type	Embossed Tape on Reel
Pitch - Mating Interface (in)	0.157 In
Pitch - Mating Interface (mm)	4.00 mm
Pitch - Term. Interface (in)	0.157 In
Pitch - Term. Interface (mm)	4.00 mm
Plating min: Mating (µin)	4
Plating min: Mating (µm)	0.10
Plating min: Termination (µin)	4
Plating min: Termination (µm)	0.10
Polarized to Mating Part	No
Polarized to PCB	No
Shrouded	No
Stackable	No
Surface Mount Compatible (SMC)	No
Temperature Range - Operating	-40°C to +85°C
Termination Interface: Style	Through Hole

Electrical



EU RoHS

RoHS Compliant by Exemption

REACH SVHC

Not Reviewed

Halogen-Free

Status

Not Reviewed

China RoHS



Pb

Need more information on product environmental compliance?

Email productcompliance@molex.com
For a multiple part number RoHS Certificate of Compliance, [click here](#)

Please visit the [Contact Us](#) section for any non-product compliance questions.

Search Parts in this Series

[47341Series](#)

Current - Maximum per Contact	0.5A
Voltage - Maximum	12V DC

Solder Process Data

Duration at Max. Process Temperature (seconds)	5
Lead-free Process Capability	Wave Capable (TH only)
Max. Cycles at Max. Process Temperature	2
Process Temperature max. C	250

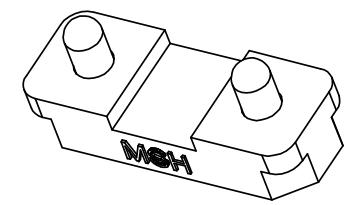
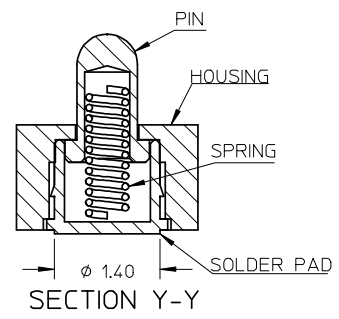
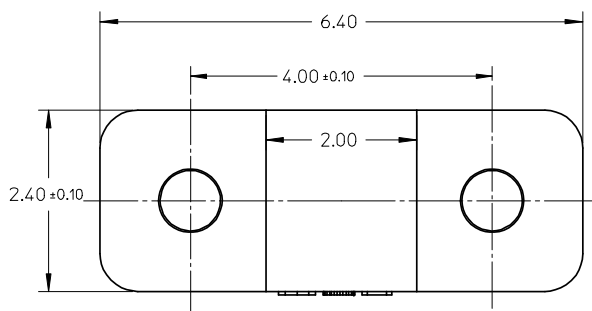
Material Info

Reference - Drawing Numbers

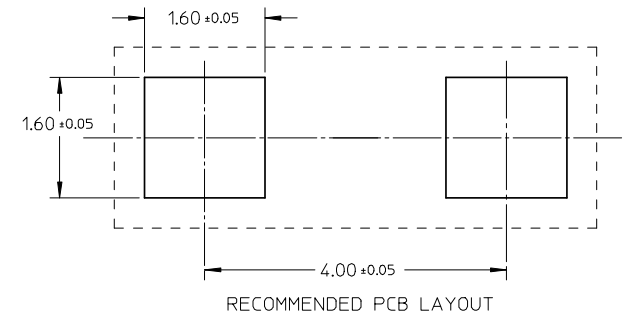
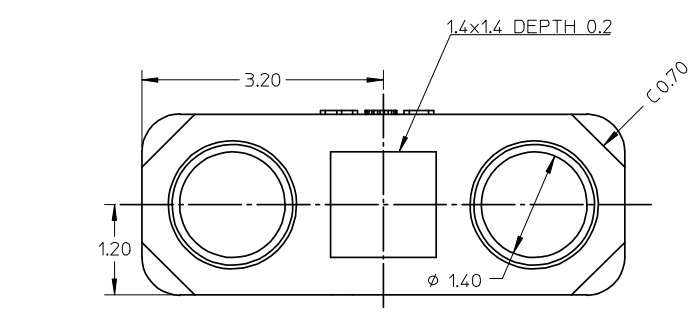
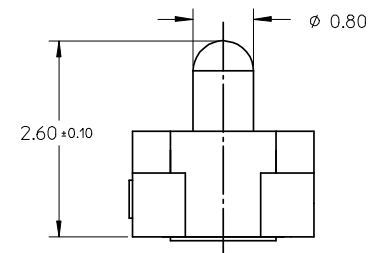
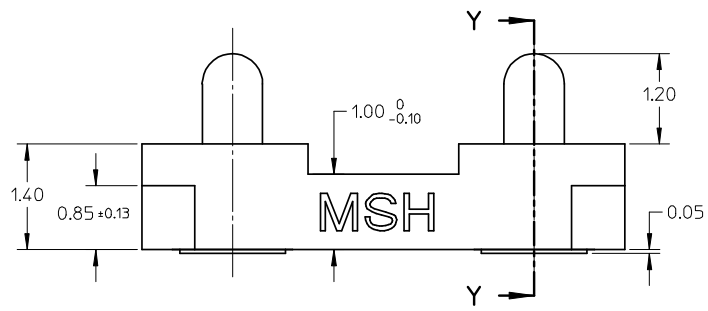
Packaging Specification	PK-47341-001
Product Specification	PS-47341-001
Sales Drawing	SD-47341-001

This document was generated on 05/26/2010

PLEASE CHECK WWW.MOLEX.COM FOR LATEST PART INFORMATION



- NOTES:
- MATERIAL:
 - 1-1 PIN & SOLDER PAD : COPPER ALLOY
 - 1-2 SPRING : SWP-B,PIANO WIRE OR EQUIVALENT
 - 1-3 HOUSING :
 - 473410001 : NYLON 46 UL 94-V0, BLACK
 - 473410041 : NYLON 9T, UL 94-V0, MEDIUM GRAY
 - FINISH:
 - CONTACT PIN : SEE TABLE
 - SOLDER PAD & SPRING : OVERALL 0.1 μm MIN. GOLD OVER 1.27 μm NICKEL
 - MECHANICAL SPECIFICATION:
 - 3-1 SPRING FORCE : 0.8N MIN @ 0.65mm DEFLECTION/PIN
 - 3-2 PRELOAD : 0.15N/PIN MIN
 - 3-3 DURABILITY : 2,000 cycles
 - ELECTRICAL SPECIFICATION :
 - 4-1 RATING VOLTAGE : 12V RMS
 - 4-2 RATING CURRENT : 0.5A MAX.
 - 4-3 CONTACT RESISTANCE : 200 mOhms MAX @ 0.65mm DEFLECTION
 - PRODUCT SPECIFICATION : PS-47341-001
 - PRODUCT COMPLIANT TO RoHS DIRECTIVE 2002/95/EC AND ELV 2000/53/EC.



473410001	CONTACT PIN : OVERALL 0.1 μm MIN. GOLD OVER 1.27 μm NICKEL
473410041	CONTACT PIN : OVERALL 1 μm MIN. GOLD OVER 3~5 μm NICKEL

CHANGE RAW MATERIAL OF HSG EC NO: SH2008-0278 DRWN: JYANG13 2008/01/16 CHKD: YLZHU02 2008/01/21 APPR: HWANG 2008/02/04	QUALITY SYMBOLS	GENERAL TOLERANCES (UNLESS SPECIFIED)	DIMENSION STYLE	SCALE	DESIGN UNITS	THIRD ANGLE PROJECTION	
	▽=0 ∇=0	mm INCH	MM ONLY	15:1	METRIC		
		4 PLACES ± --- ± --- 3 PLACES ± --- ± --- 2 PLACES ± 0.15 ± --- 1 PLACE ± 0.2 ± ---	DRAWN BY DATE CYZHU 2006/02/27	TITLE ASSEMBLY 2 PIN POGO SPEAKER CONN.			
		ANGULAR ± 1/2°	CHECKED BY DATE XIXU 2006/03/02	MOLEX MOLEX INCORPORATED			
	DRAFT WHERE APPLICABLE MUST REMAIN WITHIN DIMENSIONS	APPROVED BY DATE JNCHEN 2006/03/02	MATERIAL NO. SEE TABLE	DOCUMENT NO. SD-47341-001	SHEET NO. 1 OF 1		
			SIZE A3	THIS DRAWING CONTAINS INFORMATION THAT IS PROPRIETARY TO MOLEX INCORPORATED AND SHOULD NOT BE USED WITHOUT WRITTEN PERMISSION			